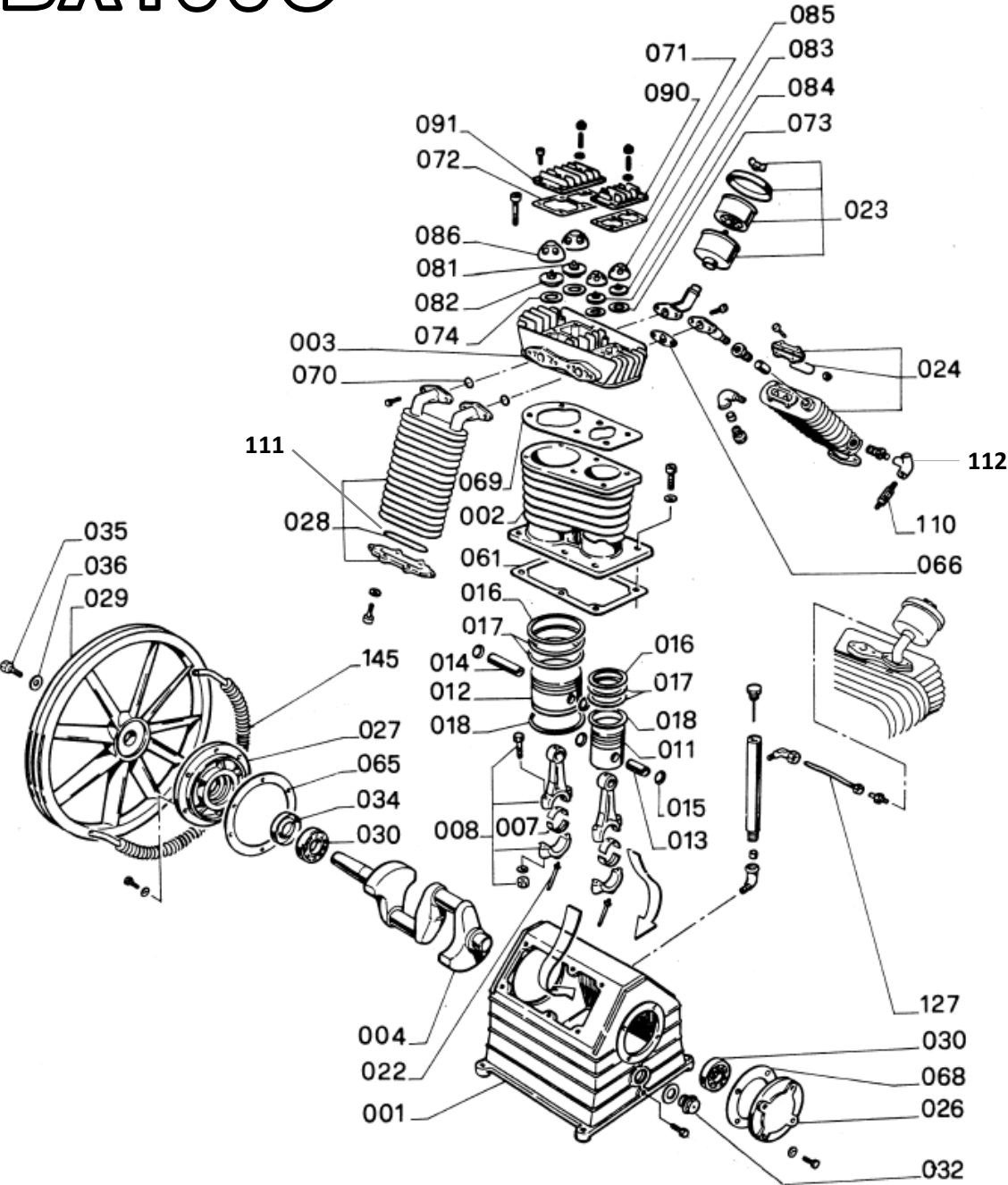




# BX100G





# BX100G

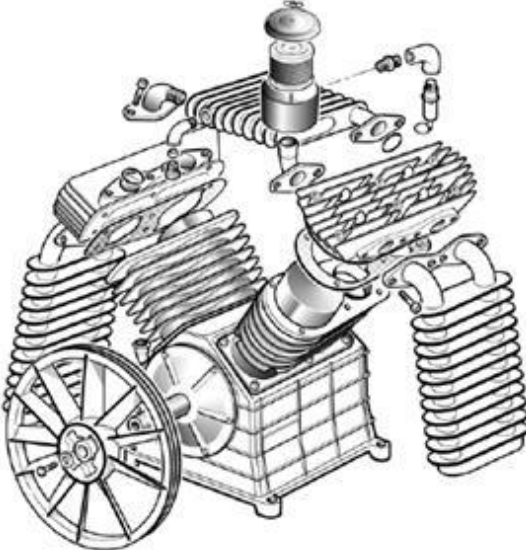
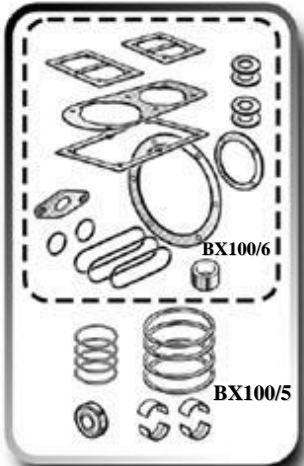
**PERFORMANCE KIT**



**BX100/1**



**BX100/2**



The logo for BAMAX, featuring the word "BAMAX" in a bold, white, sans-serif font. The letters are set against a blue rectangular background. A small white star is positioned below the letter "A".

# BX100G

## SPARE KIT

| <b>REF. NBR.</b> | <b>PART NUMBER</b> | <b>DESCRIPTION</b>  | <b>DESCRIZIONE</b>          | <b>UNITS PER ASSY</b> |
|------------------|--------------------|---|-----------------------------|-----------------------|
| BX100/1          | 8973037644         | SERVICE KIT<br>(Ref. 023, 066, 069, 070, 071, 072,<br>081, 082, 083, 084, 085, 086, 090,<br>091, 112)                     | KIT MANUTENZIONE            | 1                     |
| BX100/2          | 8973037645         | SERVICE KIT + OIL   | KIT MANUTENZIONE + OLIO     | 1                     |
| BX100/3          | 2901324976         | HEAD KIT<br>(Ref. 003)  | KIT TESTA                   | 1                     |
| BX100/4          | 2901324977         | INTERCOOLER KIT<br>(Ref. 024)   | COLLETTORE INTERMEDIO       | 1                     |
| BX100/5          | 2901324956         | GASKET PISTON RING HALF BEARING<br>(Ref. 007, 016, 017, 018, 061, 065,<br>066, 068, 069, 070, 071, 072, 073,<br>074, 111) | GUARNIZ. SEGMENTI SEMIGUSCI | 1                     |
| BX100/6          | 2901323582         | GASKETS KIT<br>(Ref. 061, 065, 066, 068, 069, 070,<br>071, 072, 073, 074, 111)  | KIT GUARNIZIONI COMPLETO    | 1                     |
| BX100/7          | 2901324957         | INTERCOOLER KIT<br>(Ref. 028)   | COLLETTORI D RAFFREDDAMENTO | 1                     |
| BX100/8          | 2901324958         | FLYWHEEL KIT<br>(Ref. 029, 035, 036)  | KIT VOLANO                  | 1                     |
| BX100/9          | 2901324959         | OIL LEVEL KIT<br>(Ref.032, 127)   | KIT LIVELLO OLIO            | 1                     |
| BX100/10         | 2901324978         | SAFETY VALVE<br>(Ref. 110)  | VALVOLA DI SICUREZZA        | 1                     |



# BX100G

## SINGLE SPARE

| <i>REF. NBR.</i> | <i>PART NUMBER</i> | <i>DESCRIPTION</i>   | <i>DESCRIZIONE</i>    | <i>UNITS PER ASSY</i> |
|------------------|--------------------|----------------------|-----------------------|-----------------------|
| 8                | 2901323006         | CONROD               | BIELLA LAVORATA       | 2                     |
| 11               | 2236109249         | PISTON d.70          | PISTONE d.70          | 1                     |
| 12               | 6212864300         | PISTON d. 130        | PISTONE d.130         | 1                     |
| 13               | 6222726300         | GUDGEON PIN 25 x 56  | SPINOTTO 25 x 56      | 1                     |
| 14               | 6222726600         | GUDGEON PIN 25 x 116 | SPINOTTO 25 x 116     | 1                     |
| 15               | 0335212700         | CIRCLIP              | SEEGER                | 4                     |
| 22               | 2236102002         | SPLASH PIN T 80      | ASTINA SBATTIOLIO     | 2                     |
| 30               | 2236100001         | BEARING T 80         | CUSCINETTO            | 2                     |
| 34               | 2236102040         | OIL SEAL             | PARAOLIO              | 1                     |
| 145              | 2236109259         | DELIVERY PIPE        | TUBO MANDATA ALETTATO | 1                     |

The following parts are not supplied:

## SINGLE SPARE

| <i>REF. NBR.</i> | <i>DESCRIPTION</i> | <i>DESCRIZIONE</i>       |
|------------------|--------------------|--------------------------|
| 1                | CRANKCASE          | BASAMENTO LAVORATO       |
| 2                | CYLINDER           | CILINDRO LAVORATO        |
| 4                | CRANKSHAFT         | ALBERO A GOMITO LAVORATO |
| 26               | CRANKCASE COVER    | SUPPORTO LOV             |
| 27               | CRANKCASE COVER    | SUPPORTO LV              |